

| REV. | ECN.NO. | NAME  | DATA       |
|------|---------|-------|------------|
| A0   | NEW     | MIN-D | 2020-05-22 |

**SPECIFICATION NOTES:**

**ELECTRICAL:**

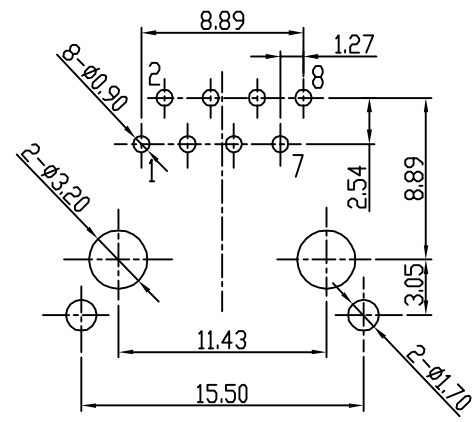
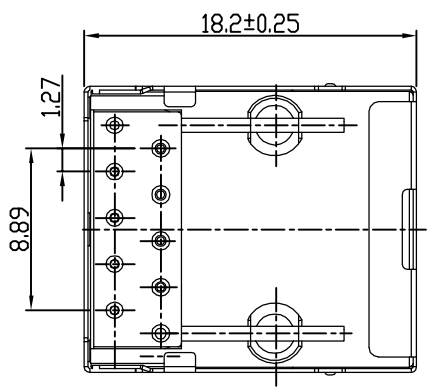
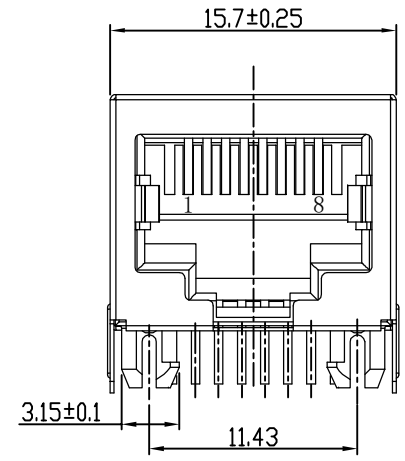
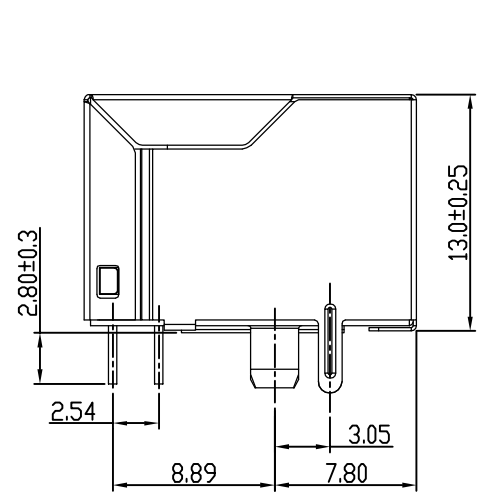
- VOLTAGE RATING: 125 VAC RMS
- CURRENT RATING: 1.5 AMP
- CONTACT RESISTANCE: 30mΩ MAX.
- INSULATION RESISTANCE: 500MΩMIN. AT 500V DC.
- DIELECTRIC STRENGTH: 1000 VAC 50Hz 1MINUTE

**MECHANICAL:**

- HOUSING MATERIAL:  
SEE PART NUMBER.
- CONTACTS:φ0.46mm PHOSPHOR BRONZE,GOLD PLATING OVER NICKEL
- SHIELD:0.20mm THICKNESS COPPER ALLOY WITH NICKEL PLATED.
- OPERATING LIFE:750 CYCLES MIN.
- MATING FORCE: 30.0N MAX.  
UNMATING FORCE: 30.0N MAX.

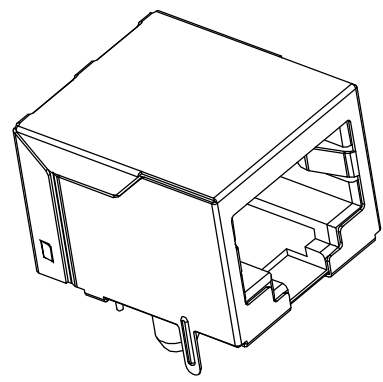
**ENVIRONMENTAL:**

- STORAGE: -40°C TO +85°C
- OPERATION: -40°C TO +85°C



Recommend PCB Layout  
(Jack Top View)

TOLERANCES:±0.05



**56-XX 88 X X X 3-D**

|           |               |                |                           |
|-----------|---------------|----------------|---------------------------|
| 1x1: 11   | Plating<br>电镀 | Material<br>材质 | A:PBT<br>B:PA66<br>C:PA46 |
| 1x2: 12   |               |                |                           |
| 1x4: 14   |               |                |                           |
| 10P8C:88  |               |                |                           |
| 10P10C:00 |               |                |                           |
| Fu": 1    |               |                |                           |
| 1u": 2    |               |                |                           |
| 3u": 3    |               |                |                           |
| 6u": 4    |               |                |                           |
| 15u": 5   |               |                |                           |
| 30u": 6   |               |                |                           |
| 50u": 7   |               |                |                           |

脚前3.05  
0: w/ shield 有外壳 带弹  
1: w/o shield 无外壳  
3: w/ shield 有外壳 无弹

COLOR(颜色)  
1.BLACK(黑色)  
2.GRAY(灰色)  
3.BLUE(蓝色)  
4.YELLOW(114C黄)  
5.WHITE(白色)

|   |   |  |  |            |
|---|---|--|--|------------|
| DETACHED LISTS<br>角度 (ANGLES) ± 1.5°<br>第三角视图 | MM (INCH)<br>公差 TOLERANCES<br>MM .0 ± 0.20<br>.00 ± 0.15<br>.000 ± 0.075<br>MM .0 ± 0.38<br>.00 ± 0.25<br>.000 ± 0.15 | 绘图 (Designed) MIN-D 2020-05-22<br>审核 (Checked)<br>批准 (Approved)<br>材料 (Material) SEE NOTES<br>比例 (SCALE) 1:1 | <b>XWJ</b> 东莞市欣旺久电子有限公司<br>XIN WANG JIU Electronics Co.,Ltd                            |            |
|   |   | 系列 (SERIES) RJ<br>名称 (NAME) XWJ-5621 10P8C 全包无弹 脚前3.05   | 图号 (DWG NO.):<br>料号 (PART NO): 56-XX88XXX3-D<br>单位 (UNIT): MM 共 (SHEET) 1 页 第 (OF) 1 页 | 版本 REV. A0 |
|   |   |  |  |            |
|   |   |  |  |            |